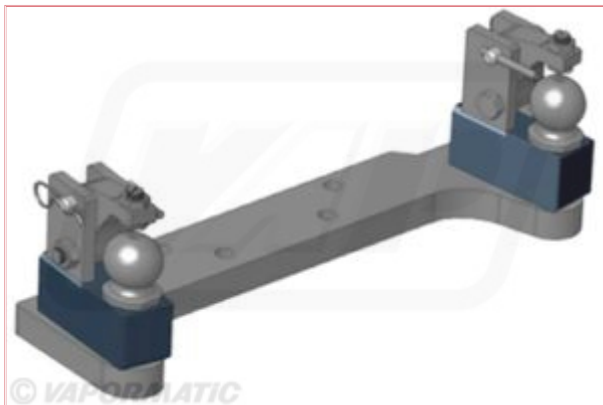


VLE6213 Forced steering component



Part No: VLE6213

Price: £672.96 (exc VAT) | £807.55 (inc VAT)

Specifications

VLE6213 Forced steering component